

RECESSED CAN RETROFIT KITS INSTALLATION MANUAL

MLLG-LED-RETRO5-45-50-R-724 - MLLG-LED-RETRO5-75-50-R-724 - MLLG-LED-RETRO5-100-50-R-724

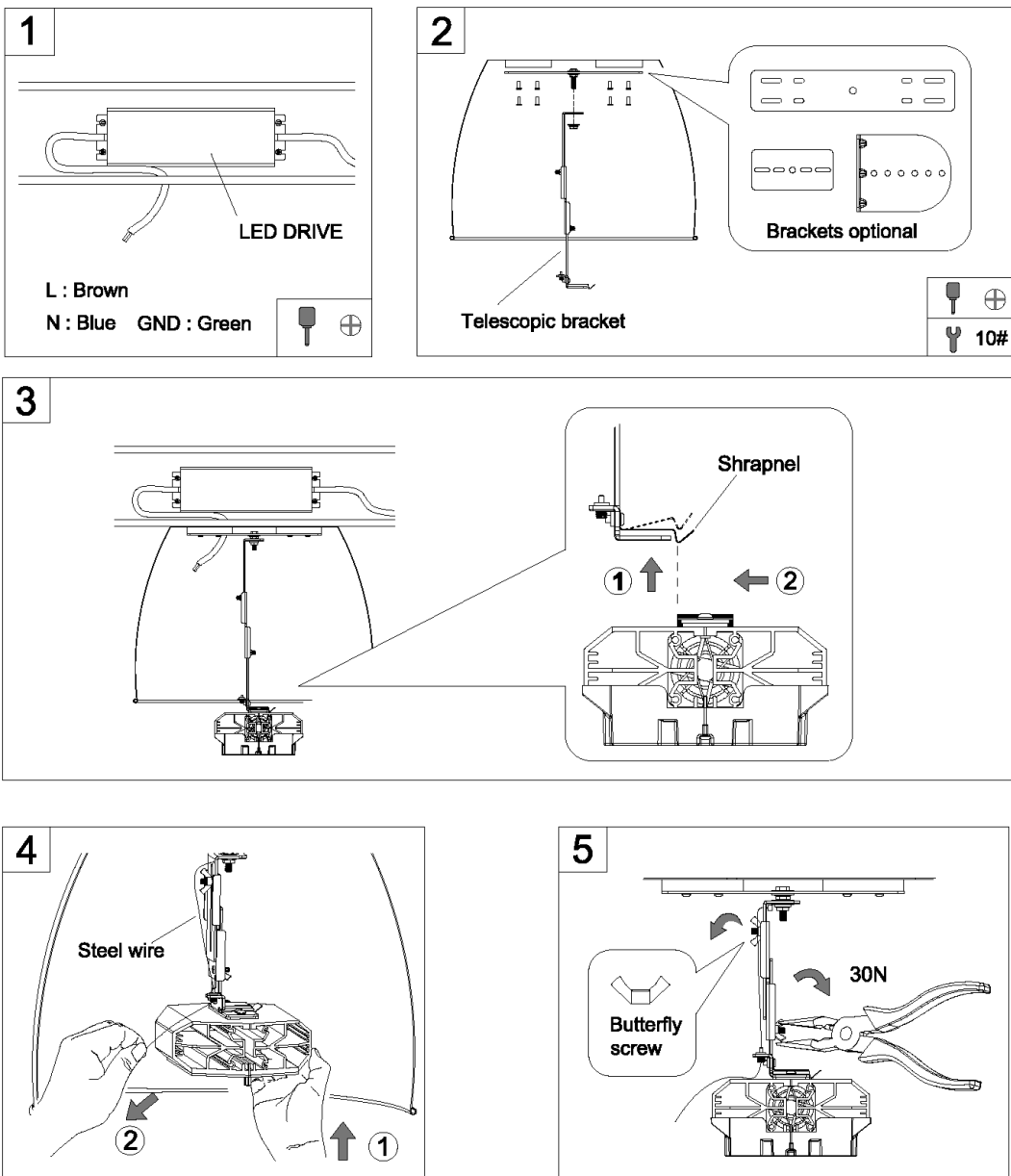
WARNING:

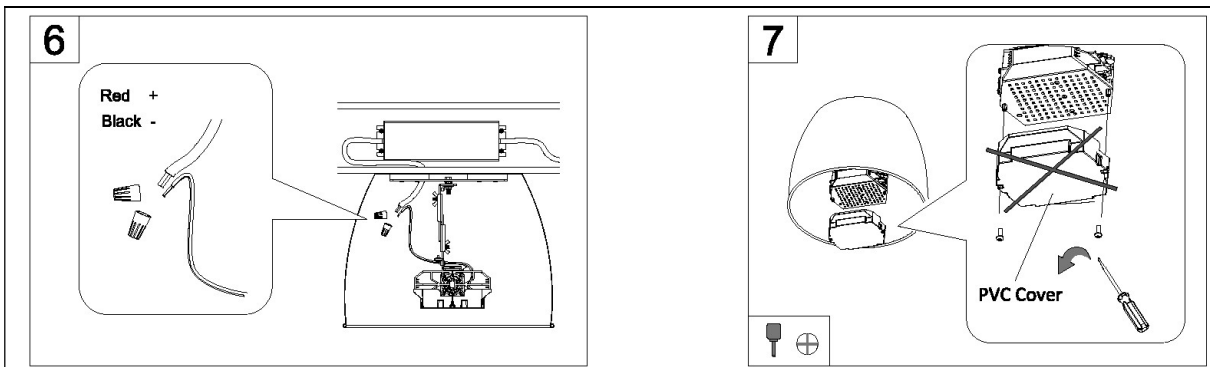
- Risk of Fire/Electric Shock - Installation must be done by a qualified electrician.
- For your safety read and understand instructions completely before starting installation.

Important steps that should be followed before installing LED retrofit kits:

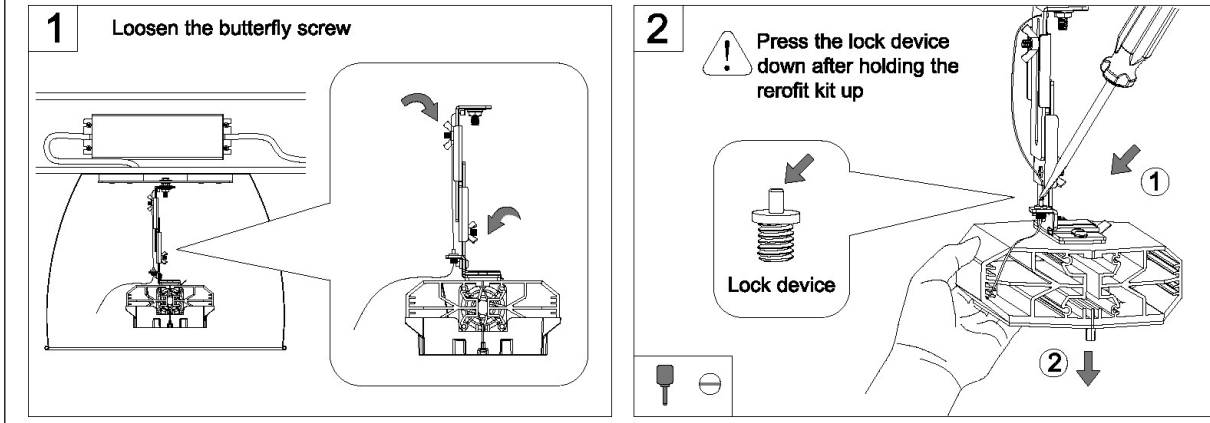
- Make certain power is OFF before starting installation.
- Remove bulb, existing ballast, and existing socket.
- For Longest Life & Keeping the LED Head & Driver cool - PERMANENTLY REMOVE THE FIXTURE'S REFLECTOR. RETROFIT WARRANTY IS VOID IF THE FIXTURE'S REFLECTOR IS NOT REMOVED.
- Wipe excess dust from inside the fixture. Clean the fixture's glass if dirty.

Way of Install





Extend the bracket

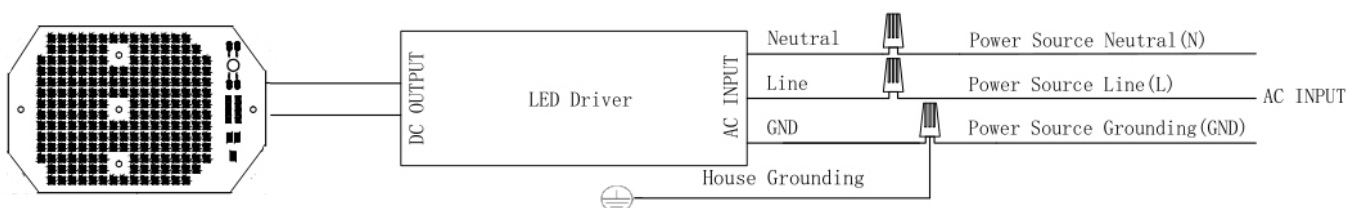


Wirings:

1. Install the LED driver in place of the ballast (**Make sure the driver is not placed near the hot air outlet of heat sink, where the temperature is higher, which is not good for life span of driver. The driver should be placed near the air intake or sides of heat sink**).
2. Wire the input source to the LED driver. The proper AC input connections to the driver are marked on the driver. There is a Ground, ACN (Neutral) and ACL (Line).

IMPORTANT: MAKE SURE THE WIRING IS PROPERLY GROUNDED.

3. Connect the output wires of the driver to the input wires of the LED Head: **Make certain to connect the V+ of the driver output to Red Wire of the LED head, and connect the V- of the driver output to the Black Wire of the LED head.**
4. Re-assemble remaining parts of the fixture and restore power.
5. Never dim a non-dimmable LED driver. Not intended for use with emergency exits.



MODEL _____ WATTS _____